

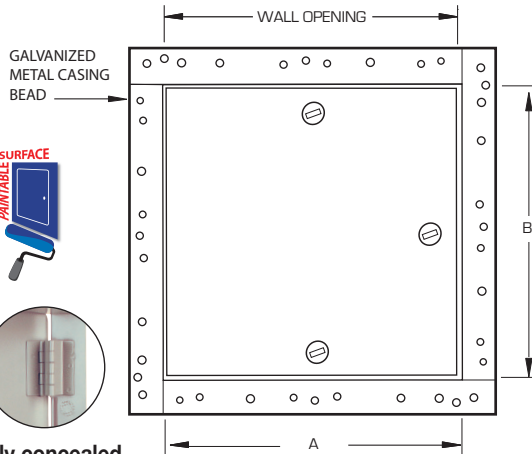
**SUBMITTAL SHEET**

**WALLS & CEILINGS**

**FRONT ELEVATION**



Drywall bead supplied by



Fully concealed offset hinges up to 24 x 24

**SECTION DETAIL**

**SPECIFICATIONS:**

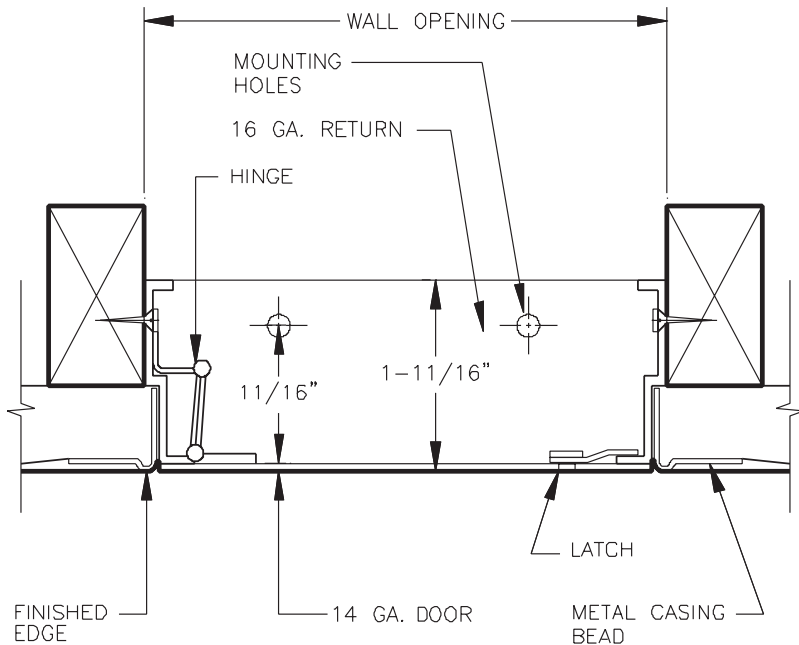
- Door: 14 ga. steel
- Trim: 16 ga. steel, 1" wide 24 ga. galvanized drywall flange
- Finish: Primed grey baked enamel, **paintable surface**
- Latches: Flush, stainless steel cam latch
- Hinge: Concealed offset hinge on sizes up to and including 24 x 24. Semi-concealed hinge on sizes over 24 x 24

**OPTIONS (at additional cost)**

- Stainless Steel Type 304 No. 4 Satin Finish Brushed
- Stainless Steel Type 316 No. 4 Satin Finish Brushed

**Options: (additional cost)**

- WB 151 Key Code Cylinder locks-keyed alike with 2 keys per lock
- Mortise Best Lock and locks by others
- Weather resistive neoprene gasket all 3 sides (Closed cell sponge, blend of Neoprene/EPDM/SBR. Meets ASTM D-1056: SCE 41, RE 41, 2A1; substrate UL 94HF-1 recognized)



A quality flush panel door with a tape-in drywall bead flange, eliminates visual distraction created by projecting, surface-mounted units.

✓	Model No.	Door Size W x H	Wall Opening	Cam Latches	Ship Wt. Lbs.
	DW 400	6 x 6	6 1/4 x 6 1/4	1	4
	DW 400	8 x 8	8 1/4 x 8 1/4	1	5
	DW 400	8 x 12	8 1/4 x 12 1/4	1	6
	DW 400	8 x 16	8 1/4 x 16 1/4	1	8
	DW 400	10 x 10	10 1/4 x 10 1/4	3	6
	DW 400	12 x 12	12 1/4 x 12 1/4	3	8
	DW 400	12 x 16	12 1/4 x 16 1/4	3	10
	DW 400	12 x 18	12 1/4 x 18 1/4	3	11
	DW 400	12 x 24	12 1/4 x 24 1/4	4	15
	DW 400	14 x 14	14 1/4 x 14 1/4	3	10
	DW 400	14 x 24	14 1/4 x 24 1/4	3	14
	DW 400	16 x 16	16 1/4 x 16 1/4	3	13
	DW 400	16 x 20	16 1/4 x 20 1/4	3	16
	DW 400	16 x 24	16 1/4 x 24 1/4	4	17
	DW 400	18 x 18	18 1/4 x 18 1/4	3	14
	DW 400	18 x 24	18 1/4 x 24 1/4	4	18
	DW 400	18 x 36	18 1/4 x 36 1/4	5	29
	DW 400	20 x 20	20 1/4 x 20 1/4	3	17
	DW 400	20 x 24	20 1/4 x 24 1/4	4	21
	DW 400	20 x 30	20 1/4 x 30 1/4	4	23
	DW 400	22 x 22	22 1/4 x 22 1/4	4	22
	DW 400	22 x 24	22 1/4 x 24 1/4	4	23
	DW 400	22 x 30	22 1/4 x 30 1/4	4	25
	DW 400	22 x 36	22 1/4 x 36 1/4	5	32
	DW 400	24 x 24*	24 1/4 x 24 1/4	4	24
	DW 400	24 x 30*	24 1/4 x 30 1/4	4	27
	DW 400	24 x 36*	24 1/4 x 36 1/4	5	35
	DW 400	24 x 48*	24 1/4 x 48 1/4	6	43
	DW 400	30 x 30*	30 1/4 x 30 1/4	6	32
	DW 400	30 x 36*	30 1/4 x 36 1/4	6	39
	DW 400	32 x 32*	32 1/4 x 32 1/4	6	35
	DW 400	36 x 36*	36 1/4 x 36 1/4	7	44
	DW 400	36 x 48*	36 1/4 x 48 1/4	8	57
	DW 400	48 x 48*	48 1/4 x 48 1/4	12	70

\* Walls only

Distributed by: **cannon sales inc**  
 W: www.cannonsales.com P: 800-368-0542

**RELATED PRODUCTS**

**WB DWAL 412 Aluminum with Fully Detachable Hatch**      **WB RDW 410 Aluminum Panel with Fixed Hinges**



WBCA 2017

Project: \_\_\_\_\_ Date: \_\_\_\_\_  
 Contractor: \_\_\_\_\_ Architect: \_\_\_\_\_  
 Sizes: \_\_\_\_\_ Quantity: \_\_\_\_\_ App Initials: \_\_\_\_\_

Corp Off: 1330 Progress Drive • Front Royal, VA 22630 • Phone: 1-800-255-5515 • Fax: 1-800-822-5001 [www.wbdoors.com](http://www.wbdoors.com)

**American Made** **See us on** **Like us on** [facebook.com/wbdoors](https://facebook.com/wbdoors)

**Family Owned & Operated Since 1990** **Selling only through distribution**